



INSTRUCTIONS FOR USE | The logo for "soleil1070" features the word "soleil" in a lowercase, orange, sans-serif font, followed by "1070" in a lowercase, grey, sans-serif font. Above the "i" in "soleil" is a stylized yellow sun icon with rays.

PRODUCT INFORMATION

The Soleil 1070 curing light is a wireless pen-style, polymerization lamp for use by trained dental professionals in dental offices or dental laboratories.

PRECAUTIONS



Do not look directly into the light output. Patient, clinician and assistants should wear UV orange eye protection when this device is in use. Light reflected from the tooth surface may also injure eyes. Use the Soleil 1070 Shields supplied with the unit.

- Do not expose soft oral tissue at close proximity. Maintain a safe distance between the lens and the soft tissue.
- Never modify Soleil 1070 or any of its equipment on your own. Any modification may compromise safety and effectiveness. Should any problem occur, seek qualified help from your distributor.
- This product is intended to be used only as specifically outlined in these Instructions for Use. Any use of this product inconsistent with these Instructions for Use is at the discretion and sole responsibility of the dental practitioner.
- Any Dentist with a history of retinopathy should consult their eye specialist before operating this unit. Use the Soleil 1070 curing light extremely carefully and comply with all the necessary safety precautions (including wearing suitable, light filtering safety glasses).
- Anyone who has had a cataract operation may be especially sensitive to light and should be advised against undergoing treatment with a Soleil 1070 curing light unless adequate safety precautions are taken such as wearing suitable, light filtering safety glasses.
- Do not use when patients are prone to photo biological reactions (including patients with solar urticaria or erythropoietic protoporphyria) or those currently undergoing treatment with photo-sensitizing pharmaceuticals.
- Do not use a Soleil 1070 curing light which has not been properly cleaned and disinfected.
- Protect Soleil 1070 curing light from cross-contamination by applying Disposable Barrier Sleeves. Sleeves are intended for single use only. Discard after use. Do not re-use sleeves on other patients in order to prevent cross-contamination.
- For electrical medical devices, specific safety precautions apply which must be observed. Do not use mobile phones or other portable communication tools near the curing light while in use, as they could interfere with the function of the Soleil 1070 curing light.
- All dental curing lights cause a certain degree of heat development. Extended operation in areas near the pulp and soft tissues may result in severe damage. Do not cure the same tooth surface for more than 20 seconds at a time. If required, polymerize at intermittent intervals of 20 seconds each.
- Use only the AC/DC power supply provided with the device.

SOLEIL1070 FEATURES

The Soleil 1070 is characterized by:

Small size and lightweight ergonomic design.

- Blue and UV light emission combined to a single beam suited for all dental composites.
- One of the only curing lights in the market to incorporate a white light for diagnostics.
- Compact cordless design with convenient handling features and exchangeable off-the-shelf battery.
- Single piece strong aircraft aluminum body, specifically coated for dental use.
- Thin tip design to reach the most difficult areas inside the oral cavity.
- Several power modes to cover different treatment procedures.
- Advanced heat management system limiting LED tip temperature.
- Indication panel with two buttons for simple operation.

OPERATION AT A GLANCE

- Open box and take out the parts. Make sure all parts are intact.
- Open battery compartment by rotating the cap counterclockwise and pulling outwards.
- Insert battery into the battery compartment, "minus" side first. Make sure

that after the battery is inserted you can see the "plus" side of the battery.

- Close the battery cap by pushing it into the slots and rotating clockwise. Make sure the cap is aligned with the handpiece. Handpiece will sound a signal and the indication LED lights will turn on for 1 second.
- You can immediately operate your Soleil 1070 on normal mode by pushing the "on/off" button.
- To change modes before operating, press the "mode" button to cycle between the different modes.

ELEMENTS OF SOLEIL1070 SYSTEM

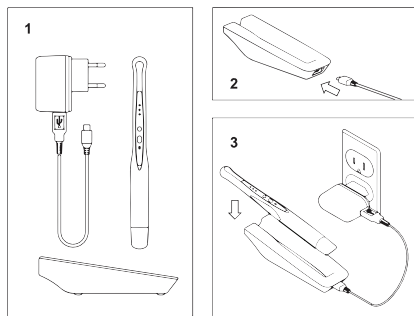


Cat No.	Description
BNC-041100	Soleil 1070 handpiece curing light
BNC-041300	Soleil 1070 charging base
BNC-041400	Standard single battery USB charger
BNC-041500	Universal DC Power Supply
BNC-041150	Orange eye protection cap

STEP-BY-STEP INSTRUCTIONS

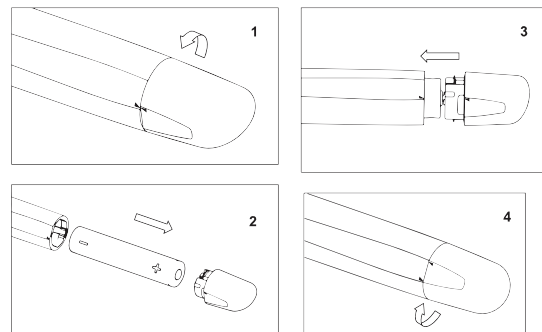
How do I charge my Soleil 1070 using the Charging Station?

1. Use the 5V 2.0A adapter that is included in kit.
2. Attach adapter to electric outlet, and connect USB cable to power jack.
3. Insert the handpiece into the charging station. Three rapid beeps and flashing green light indicate that the battery is recharging.
4. When fully charged, the handpiece will show a constant green light.



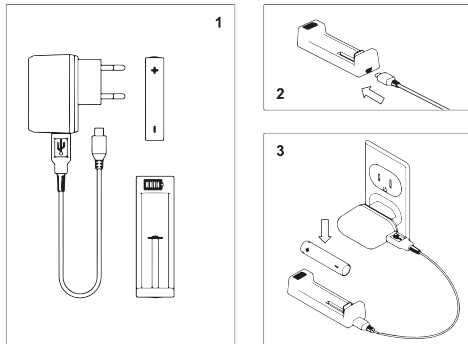
How do I change the battery?

1. Turn cap counterclockwise until the two small arrows face each other.
2. Extract old battery. Insert new battery "minus" side first. "Plus" side facing outward. For your convenience, note the drawing of the battery next to battery opening.
3. Align arrows and insert cap into battery compartment.
4. Turn cap clockwise until locked.



How do I charge a battery using the standard battery charger?

1. Turn cap counterclockwise until loose, and extract battery.
2. Attach the adapter to electric outlet, and connect USB cable to power jack.
3. Push tab and insert the battery into the charger. Indication light will indicate battery is recharging.
4. When fully charged all segments on battery symbol will light up.





**When do I need to charge the batteries?**

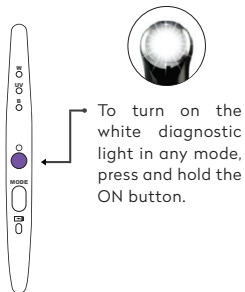
1. When you see the yellow light blinking it is time to charge your battery. You can finish the treatment but you need to recharge or replace your battery.
2. A constant yellow light will show when the battery is completely empty.
3. Note, as long as there still is enough power in the battery, the light power output from the device will always have the same strength and be able to complete your treatment.



Storing my Soleil 1070 for long periods of time:

Remove battery, close battery cap, store all parts in a dry, dark, and cool place.

OPERATING SOLEIL 1070 IN DIFFERENT MODES

Standard & Ortho Functions	
Soft Mode 20 seconds	 860 mW/cm²
Standard Mode 20 seconds	 1215 mW/cm²
Extra Boost Mode 3 seconds	 2000 mW/cm²
Multicycle Extra Boost 3 on, 2 off x 10 times	 Ortho Function



-  Blinking
-  Constantly On

MAINTENANCE

The Soleil 1070 curing light is a sealed unit with a sapphire-like hard surface and a scratch resistant glass lens. After each use, moisten a gauze or soft cloth with an anti-microbial surface disinfectant and wipe the surface and lens. Periodically check the lens for cured dental resins. If necessary, use a non-diamond dental instrument to carefully remove any adhered resin. Barrier sleeves prevent cross contamination and helps keep dental composite material from adhering to the surface of the lens and wand body. Light meters differ greatly and are designed for specific light guide tips and lenses. We recommend checking your Soleil 1070 in Standard Power mode. NOTE: the true numeric output will be skewed due to the inaccuracy of common light meters and therefore it is recommended to compare the power of the device to itself through time in order to maintain LED power output.

WARNING CAUTION

- Do not autoclave batteries, charging station, power adapter, or Soleil 1070 Handpiece.
- Do not insert fingers, instruments, or other objects into the battery compartment of the Soleil 1070.
- Do not attempt to clean the nickel plated contacts, or any part of the battery compartment. Call customer service if you have any concerns.
- Do not immerse in any kind of ultrasonic bath or any liquids.

- Do not wipe down the Soleil 1070 curing light with caustic or abrasive cleaners. See lists of acceptable cleaners below:

ACCEPTABLE CLEANERS:

- Cavicide™ products
- Isopropyl alcohol-based cleaners
- Ethyl alcohol-based cleaners
- Other non-bleach and non-abrasive disinfectants or cleaners
- Lysol® disinfectant

DO NOT USE:

- Strong alkali detergent of any type, including hand soaps and dish soaps.
- Bleach-based cleaners (e.g. - Clorox™, Sterilox™)
- Hydrogen Peroxide based cleaners
- Abrasive Cleansers (e.g. - Comet Cleanser™)
- Acetone-based cleaners (e.g. - nail polish remover, Goo-off™)
- MEK (Methyl Ethyl Ketone)

BATTERY REPLACEMENT

Authorized batteries for use which have been checked by the manufacturer are:

- AWT 14650 IMR 1100mAh
- Trustfire 14650 IMR 900mAh

HYGIENE

Soleil 1070 Barrier Sleeves

The use of the Soleil 1070 Sleeves is a mandatory precautionary measure against cross contamination, but does not substitute reprocessing of the Soleil 1070 curing light.



Cross-contamination - Barrier sleeves are intended for single use only.



Discard Barrier sleeves according to local regulations.

Soleil 1070 Handpiece

Right after use, carefully remove sleeve without contaminating device and discard sleeve according to local regulations. Thoroughly wipe clean device with appropriate disinfectants mentioned in the Maintenance section.



Cross-contamination - always make sure handpiece is completely reprocessed before inserting to charging station.

Soleil 1070 Eye Protection Cap
 Eye protection cap can be autoclaved.

TECHNICAL DATA


Environmental Note



Device and battery disposal:

This device is provided with a lithium ion battery. Device and battery must not be disposed in normal domestic waste. For environmental reasons, please dispose device and battery according to local environmental guidelines or regulations.



AC Supply Connection	100 V...240 V / ~ 50 Hz...60 Hz
Power input	Maximum 14 W
Equipment class	Class II equipment
Follow instructions for use	
Protection from ingress of liquids into handpiece	Soleil 1070 charging base
Battery Protection	While charging - thermistor

Operation	Temperature: 0°C and +30°C (32°F and 86°F) Pressure: 110 kPa to 80kPa Relative humidity: 20% and 90%
Storage	Temperature: -10°C and +35°C (14°F and 95°F) Pressure: 110 kPa to 80kPa Relative humidity: 20% and 90%
Transport	Temperature: -10°C and +50°C (14°F and 122°F) Pressure: 110 kPa to 80kPa Relative humidity: 20% and 90%
Light intensity	Soft Mode: 860 mW/cm2 Standard Mode: 1215 mW/cm2 Extra Mode: 2000 mW/cm2 White Mode: 400 mW/cm2
Wavelength	385 to 480 nm
Handpiece dimensions	Length 210mm max diameter 20mm
Handpiece weight (incl battery)	120 grams
Charging station dimensions	Length 152mm x width 50mm x height 42mm
Charging station weight	205 grams

WARRANTY

Complies with the following Directives/ Standards:

- 93/42/EEC Council Directive 93/42/EEC of 14 June 1993 concerning medical devices amended by directive 2007/47/EC, annex 1.
- 2002/95/EC Restriction of the use of hazardous substances in electrical and electronic equipment.
- IEC 60601-1 2005 – Medical Electrical Equipment (General requirements for basic safety and essential performance).
- IEC 60601-1-2 2005 – Medical electrical equipment – Part 1-2: General requirements for safety and essential performance – Collateral standard: Electromagnetic compatibility – Requirements and tests.
- ISO 10650 2015 – Dentistry – Powered polymerization activators.
- IEN 62471 2008 – Photobiological Safety of Lamps and Lamp Systems.
- IEC 62471 2006 – Photobiological Safety of Lamps and Lamp Systems.

Serial number

Handpiece and Charging station have different serial numbers. Handpiece serial number can be found inside the handpiece viewed from the battery entrance.

Charging station serial number is on the label on its bottom side. **The serial number should be quoted in all correspondence, which requires identification of the product.**

Warranty terms

We hereby grant a 2-year warranty on all components of the Soleil 1070 except the battery. The battery is covered by a 6 month warranty. The warranty commences on the date of purchase. Within the warranty period, we will eliminate free of charge any defects in the appliance resulting from faults in material or workmanship either by repairing or exchanging parts or exchanging the whole device at our discretion. Not covered by this warranty: Damage arising from improper use (operation with incorrect current or voltage, unsuitable power outlet, breakage, cleaning by other than the recommended methods), normal wear and defects which have a negligible effect on the value, function or operation of the appliance. This warranty becomes void if repairs are undertaken by unauthorized persons.

Service under this warranty does not affect the expiration date of the warranty. The warranty on any exchanged parts including the exchange of an entire device expires when the warranty on the original purchased device expires. In the event of a claim on this device, return the complete device (charging station and the LED curing light) together with the invoice to your dealer or distributor. All other claims including those for damages resulting from this warranty are excluded unless our liability is legally mandatory.

BLANK PAGE

BLANK PAGE

BencoDental™


soleil1070

CE FDA