



STERLING®

FIBER-OPTIC HANDPIECES

SUPERIOR POWER & DESIGN

- High Power
- Zero Suck Back
- Excellent Access & Visibility
- Standard Bur (S495, S695)
- Short Shank Bur (S395)
- Quiet Operation
- 2 YEAR WARRANTY

18 WATT

S395m KV-Style [4874-871]
 S395m NSK-Style [4874-880]
 S395m WH-Style [4874-899]

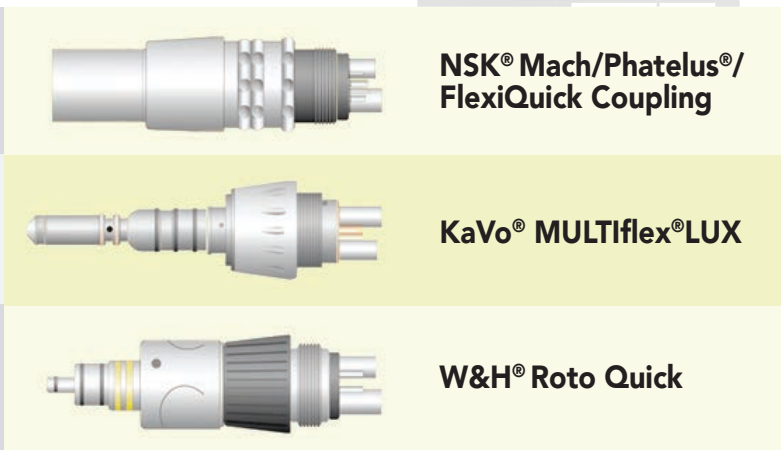
20 WATT

S495 KV-Style [4732-452]
 S495 NSK-Style [4732-461]
 S495 WH-Style [4732-489]

25 WATT

S695 KV-Style [4870-124]
 S695 NSK-Style [4870-133]
 S695 WH-Style [4870-142]

VERSATILE CONNECTION OPTIONS



S395m - Mini Head
NSK -STYLE

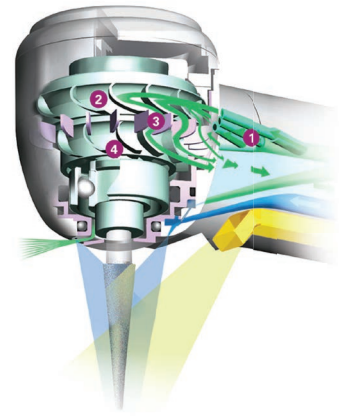
S495 - Small Head
KV-STYLE

S695 - Ultra Torque
W&H -STYLE

2 DOUBLE-IMPELLER TECHNOLOGY

Greater cutting precision & improved stability

- 1. Three air nozzles
- 2. Primary impeller
- 3. Fixed fins to direct the exhaust air
- 4. Secondary impeller

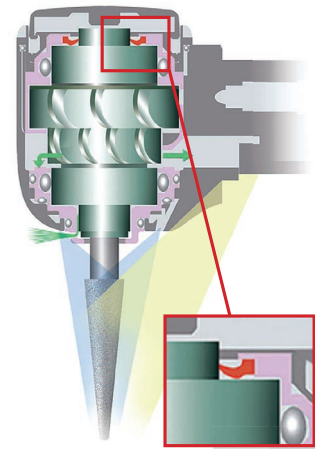


3 QUICK STOP BRAKE SYSTEM

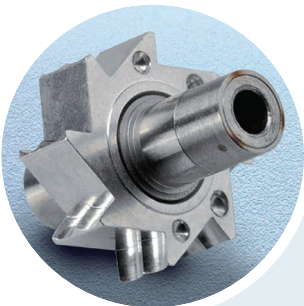
TwinPower offers rapid braking within 2 seconds

During rotation, the uniquely designed rubber brake ring in STERLING™ is pulled away from the turbine axis.

During braking, the rubber brake ring rubs against the turbine axis, stopping it significantly faster.



4 ROTOR DESIGN Superior power, constant torque



CONVENTIONAL ROTOR

- 8 impeller blades
- 1 drive air nozzle



STERLING™ ROTOR

- 36 impeller blades
- 3 drive air nozzles

To try any of our Benco Brand™ products, see your Friendly Benco Rep today.
1.800.GO.BENCO